

MAG3 - MAG5

Industrial Series Liquid Filled



Main Features

Solid forged-brass case and socket
Ranges up to 15,000 psi

Liquid-filled for applications with pulsations or vibrations

Applications

Adverse service conditions where pulsation or vibration exist
Hydraulics & compressors

Suitable for gaseous or liquid media that will not obstruct the pressure system

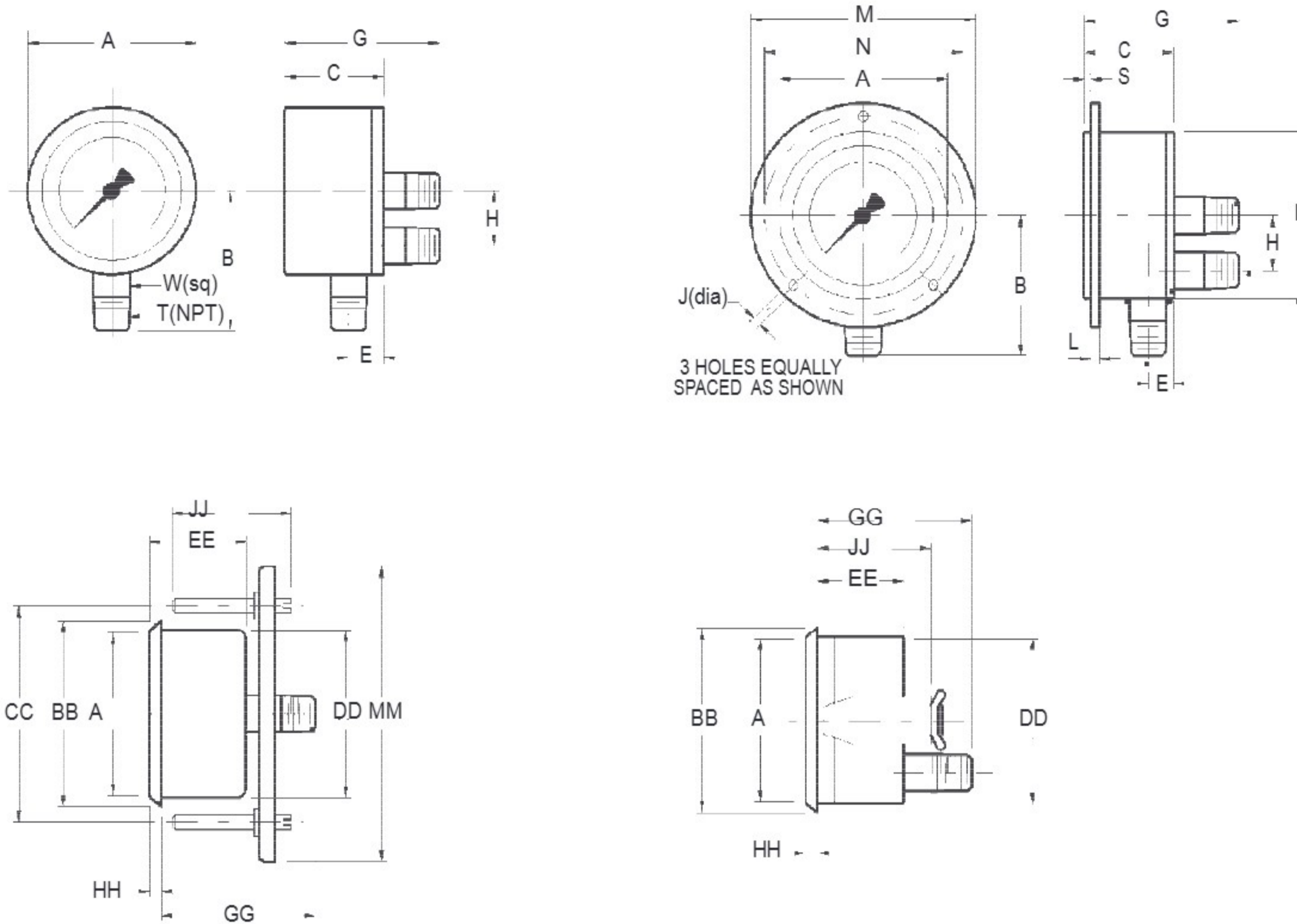
Technical Data

Nominal size	MAG3: 2.5" MAG5: 4"	Bezel Sleeve	Gold-plated ABS (2.5") Chrome-plated brass ring (4")
Measurement range	Vacuum/Compound - 15,000 psi	Movement	Copper Alloy
Pressure limitation	Steady : 75% of full scale value Fluctuating : 65% of full scale value Short time : 100% of full scale value	Window	Acrylic
Accuracy	2.5": +/- 2/1/2% of span 4": +/- 1% of span	Window gasket	Elastomer
Protection rating	IP 66	Dial Pointer	Aluminium, white Aluminum, black
Process Connection	MAG: Copper Alloy	Temperature	Ambient : -4F° ...+140F° (-20C°...+60°C) - Glycerin Filled -40F°...+140F° (-40C°...+60C°) - Silicone Filled Medium : max. +140F°
Bourdon tube	MAG: Copper Alloy	Thermal drift	± 0.4% F.S. / 10 K (reference : 20C°)
Case	Forged Brass - E-coated		

Options

Adjustable max pointer	Code 0059
Window laminated safety glass	Code 0751
Restrictor screw Ø 0.3	Code 0769

Dimensions - Types of mounting



Size	A	B	C	D	E	G	H	J	K	L	M	N	O	P	R
------	---	---	---	---	---	---	---	---	---	---	---	---	---	---	---

2.5" mm

in

4" mm

in

Size	S	T	W	BB	CC	DD	EE	GG	HH	JJ	MM	Weight
------	---	---	---	----	----	----	----	----	----	----	----	--------

2.5" mm

in

4" mm

in

Pressure ranges

Code	psi	Code	psi
H59	-30" Hg ... 0	H21	0 ... 100
H73	-30" Hg ... 15	H22	0 ... 160
H75	-30" Hg ... 30	H23	0 ... 200
H2C	-30" Hg ... 60	H25	0 ... 300
H78	-30" Hg ... 100	H26	0 ... 400
H79	-30" Hg ... 150	H27	0 ... 600
H81	-30" Hg ... 220	H30	0 ... 1 000
H82	-30" Hg ... 300	H31	0 ... 1 500
H15	0 ... 15	H34	0 ... 3 000
H1C	0 ... 20	H38	0 ... 6 000
H17	0 ... 30	H40	0 ... 10 000
H19	0 ... 60	H41	0 ... 15 000

Ordering details - MAG3 - MAG5

	MAG	3	-	B	5	0	.	XXX
Model	All stainless steel pressure gauge							
Nominal size	2.5 in. 4 in.							
Type of mounting	Back connection, front flange, 3 mounting holes Bottom Connection Front Flange Bottom connection Back connection Back connection with clamp							
Process connection	1/4 NPT 1/2 NPT							
Liquid filling	Dry BH1 : low viscosity glycerin/water 86% (medium : -20 ... +70°C) BH2 : high viscosity glycerin 99.5% (medium : 0 ... +90°C) BH3 : silicone oil (medium : -40 ... +100°C)							
Unit of measurement / Pressure ranges ^(*)	psi							

Hxx

Ordering example

